

ADV1136WLAHD

AHD



1.3Megapixel AHD IR Dome Camera

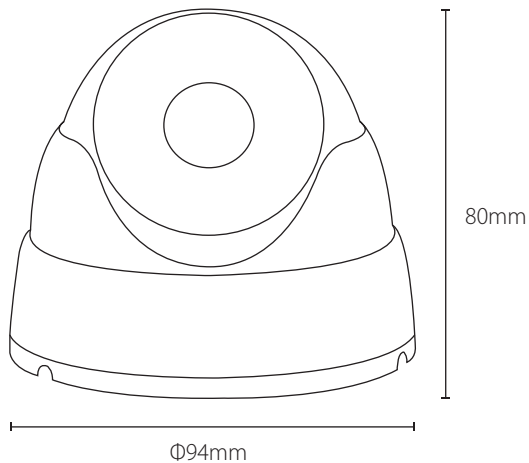


KEY FEATURES

- 1.3Megapixel 1/3" CMOS sensor
- 720P high definition real-time image
- Long distance real-time transmission
- Auto color to B/W at low illumination
- Support ICR switch, true day/night
- 30m IR night view distance

Dimensions

ADV1136WLAHD



VIDEO	
Image Sensor	1/3" CMOS 1.3 Megapixel
CCTV System	720P @ AHD (PAL)
Effective Pixels	1280 x 720
Minimum Illumination	0Lux when IR turned on
S/N Ratio	More than 52dB
Video Output	1.0Vp-p composite 75ohm
OPERATIONAL	
Gamma Ratio	0.45
White Balance	Auto
BLC	Auto
Auto Gain Control	Auto
Iris Mode	AES
Synchronization	Internal
Day & Night	Infrared Cut-filter Removal with auto switch
Electronic Shutter	1/60 to 1/100,000 sec (NTSC) / 1/50 to 1/100,000 sec (PAL)
IR LED / Effective Length	36pcs / approx. 30 meters
LENS	
Focal Length	3.6mm wide-angle @ F1.2
ELECTRICAL / MECHANICAL	
Operating Temperature	-10°C ~ +50°C RH95% Max
Storage Temperature	-20°C ~ +60°C RH95% Max
Power Source	DC12V ± 10% / 100mA, 360mA when IR turn On
Weight	120g
Dimension (mm)	Φ94 x 80(H)

Design and specifications are subject to change without prior notice.