

ADV2122F-IW



Key Features

- Up to 2 megapixel (1920 × 1080) resolution
- Standard video compression with high compression ratio, ROI (region of interest) encoding
- Progressive scan CMOS, capture motion video without incised margin
- Support dual stream, and the sub-stream for mobile surveillance
- High-performance and long service life Infrared LED, Approx. 10 to 30 meters IR range
- Two-way audio
- Audio I/O
- Support Wi-Fi(built in)
- IR cut filter with auto switch
- PoE (Power over Ethernet)
- Built-in Micro SD/SDHC/SDXC card slot, up to 64 GB
- Ingress Protection level: IP66
- Impact Protection: IEC60068-2-75 test, Eh, 20J; EN50102, up to IK10
- Other functions: rotate mode, alarm, mirror, reset button, etc
- Support intrusion detection and line crossing detection
- Support VCA, which is compatible with NVR for the second time of video searching and analysing

Specification

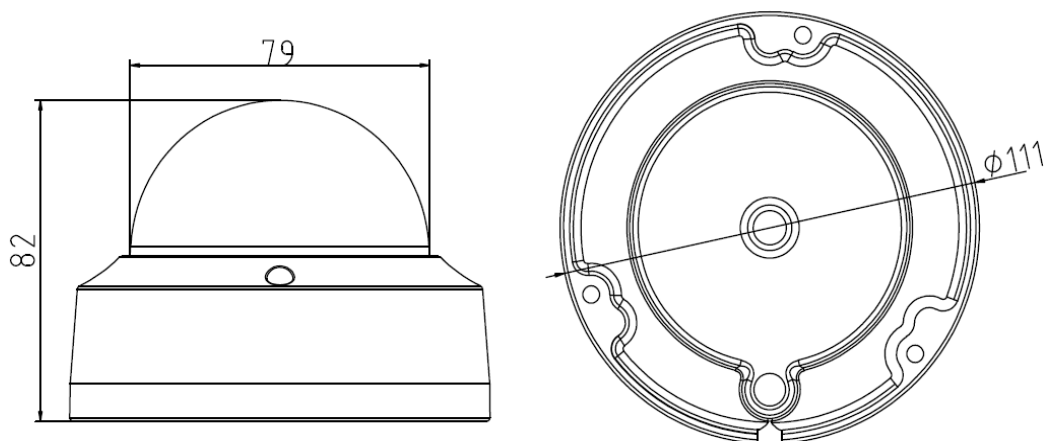
Model	ADV2122F-IW
Parameter	2 Megapixel CMOS Vandal-proof Network Dome Camera
Camera	
Image Sensor	1/2.8" Progressive Scan CMOS
Min. Illumination	0.01Lux @ (F1.2, AGC ON) ,0 Lux with IR 0.028 Lux @ (F2.0, AGC ON) ,0 Lux with IR

Shutter Speed	1/3 s to 1/100,000 s
Lens	4mm@ F2.0 (2.8mm, 6mm optional)
	Angle of view: 105.84°(2.8mm), 85°(4mm) , 52°(6mm)
Lens Mount	M12
Day &Night	IR cut filter with auto switch
Digital Noise Reduction	3D DNR
Wide Dynamic Range	Digital WDR
Angle Adjustment	Pan:0° - 355°, Tilt: 0° - 75°, Rotation: 0-355°
Compression Standard	
Video Compression	H.264/ MJPEG
H.264 Type	Main Profile
Video Bit Rate	32 Kbps – 12 Mbps
Dual Stream	Yes
Audio Compression(-S)	G.711/G.722.1/G.726/MP2L2
Audio Bit Rate(-S)	64Kbps(G.711) /16Kbps(G.722.1)/16Kbps(G.726) /32-128Kbps(MP2L2)
Image	
Max. Resolution	1920 x 1080
Frame Rate	50Hz: 25fps(1920 × 1080), 25fps (1280 × 960), 25fps (1280 × 720) 60Hz: 30fps(1920 × 1080), 30fps (1280 × 960), 30fps (1280 × 720)
Image Settings	Rotate mode, Saturation, Brightness, Contrast adjustable by client software or web browser
Backlight compensation	Yes, zone optional
ROI	Support
Network	
Network Storage	Local storage: Built-in Micro SD/SDHC/SDXC card slot, up to 64 GB. NAS (Support NFS,SMB/CIFS)
Alarm Trigger	Intrusion detection, Line crossing detection, Motion detection, Dynamic Analysis, Tampering alarm, Network disconnect, IP address conflict, Storage full, Storage error
Protocols	TCP/IP,ICMP,HTTP,HTTPS,FTP,DHCP,DNS,DDNS,RTP,RTSP,RTCP, PPPoE,NTP,UPnP,SMTP,SNMP,IGMP,802.1X,QoS,IPv6,Bonjour
Security	User Authentication, Watermark
Standard	ONVIF, PSIA, CGI, ISAPI
Interface	
Communication	1 RJ45 10M/100M Ethernet interface

Interface	
Alarm interface	1 alarm I/O
Audio interface	1 audio I/O
Wi-Fi Specification(Only for the products with Wi-Fi module built-in)	
Wireless Standards	IEEE802.11b, 802.11g, 802.11n
Frequency Range	2.4 GHz ~ 2.4835 GHz
Channel Bandwidth	20/40MHz Support
Protocols	802.11b: CCK, QPSK, BPSK 802.11g/n: OFDM
Security	64/128-bit WEP, WPA/WPA2, WPA-PSK/WPA2-PSK, WPS
Transmit Output Power	11b: 17±1.5dBm @ 11Mbps 11g: 14±1.5dBm @ 54Mbps 11n: 12.5±1.5dBm
Receive Sensitivity	11b: -90dBm @ 11Mbps (Typical) 11g: -75dBm @ 54Mbps (Typical) 11n: -74dBm (Typical)
Transfer Rates	11b: 11Mbps 11g: 54Mbps 11n: up to 150Mbps
Wireless Range	50m(depend on environment)
Wireless Standards	IEEE802.11b, 802.11g, 802.11n
General	
Operating Conditions	-30 °C – 60 °C (-22 °F – 140 °F) Humidity 95% or less (non-condensing)
Power Supply	12 V DC ± 10% PoE (802.3af)
Power Consumption	Max. 5W
Ingress Protection level	IP66
IR Range	30 meters
Impact Protection	IEC60068-2-75Eh, 20J; EN50102, up to IK10
Dimensions	Φ111 × 82 (4.4" × 3.2")
Weight	500g (1.1 lb)

* "-W" series support Wi-Fi (802.11b/g/n) and the modules with Wi-Fi function don't support the 802.1X protocol.

Dimensions



Accessories



Inclined ceiling mount
ADV1259ZJ



Wall mount
ADV1272ZJ-110