

## ADV2622F



### Key Features

- Up to 2 megapixel (1920 × 1080) resolution
- Standard video compression with high compression ratio, ROI (region of interest) encoding
- Progressive scan CMOS, capture motion video without incised margin
- Support dual stream, and the sub-stream for mobile surveillance
- High-performance and long service life Infrared LED, Approx. 20 to 30 meters IR range
- Built-in Micro SD/SDHC/SDXC card slot, up to 64 GB
- IR cut filter with auto switch
- PoE (Power over Ethernet)
- 3D DNR
- DWDR
- Ingress Protection level: IP66
- Auto-iris, electronic shutter for different surveillance environments
- Other functions: reset, heartbeat, mirror, etc
- 3-axis adjustment
- Support intrusion detection, line crossing detection
- Support VCA, which is compatible with NVR for the second time of video searching and analysing

### Specification

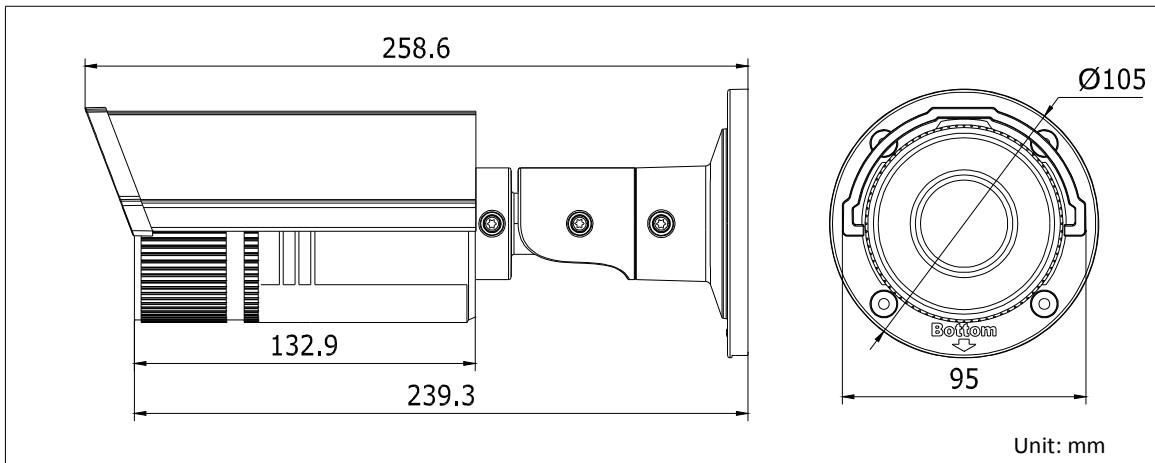
Model	ADV2622F
Parameter	2 Megapixel Bullet Network Camera
<b>Camera</b>	
Image Sensor	1/3" Progressive Scan CMOS
Min. Illumination	0.01 Lux @(F1.2,AGC ON), 0 Lux with IR 0.014 Lux @(F1.4,AGC ON), 0 Lux with IR
Shutter Speed	1/3 s to 1/100,000 s
Lens	2.8 - 12 mm @ F1.4,Angle of view: 113°-33.8°
Lens Mount	Φ14

Day & Night	IR cut filter with auto switch
Digital Noise Reduction	3D DNR
Wide Dynamic Range	Digital WDR
<b>Compression Standard</b>	
Video Compression	H.264/ MJPEG
H.264 Compression Type	Main Profile
Video Bit Rate	32 Kbps – 12 Mbps
Audio Compression(-S)	G.711/G.722.1/G.726/MP2L2
Audio Bit Rate(-S)	64Kbps(G.711) / 16Kbps(G.722.1) / 16Kbps(G.726) / 32-128Kbps(MP2L2)
Dual Stream	Yes
<b>Image</b>	
Max. Resolution	1920×1080
Frame Rate	50Hz: 25fps(1920 × 1080), 25fps (1280 × 960), 25fps (1280 × 720) 60Hz: 30fps(1920 × 1080), 30fps (1280 × 960), 30fps (1280 × 720)
Image Settings	Rotate mode, Saturation, Brightness, Contrast adjustable by client software or web browser
Backlight compensation	Yes, zone optional
ROI	Support
<b>Network</b>	
Network Storage	NAS (Support NFS,SMB/CIFS)
Alarm Trigger	Line Crossing, Intrusion Detection, Motion detection, Dynamic analysis, Tampering alarm, Network disconnect , IP address conflict, Storage exception
Protocols	TCP/IP,ICMP,HTTP,HTTPS,FTP,DHCP,DNS,DDNS,RTP,RTSP,RTCP, PPPoE,NTP,UPnP,SMTP,SNMP,IGMP,802.1X,QoS,IPv6,Bonjour
General	One-key reset, Flash-prevention, dual stream, heartbeat, mirror, password protection, privacy mask, watermark, IP address filtering, Anonymous access
Standard	ONVIF, PSIA, CGI, ISAPI
<b>Interface</b>	
Communication Interface	1 RJ45 10M/100M Ethernet interface
On-board storage	Built-in Micro SD/SDHC/SDXC card slot, up to 128 GB
<b>General</b>	
Operating Conditions	-30 °C – 60 °C (-22 °F – 140 °F)

	Humidity 95% or less (non-condensing)
Power Supply	12 V DC $\pm$ 10% PoE (802.3af)
Power Consumption	Max. 5.5 W (Max. 7.5 W with IR cut filter on)
Ingress Protection level	IP66
IR Range	Approx. 30 meters
Dimensions	95×105×258.6 mm (3.74" × 4.13" × 10.18")
Weight	1200g

\* "-I" series support 1-ch audio I/O, 1-ch alarm I/O

## Dimensions



## Accessories



Vertical pole mount  
ADV1275ZJ



Junction box  
ADV1260ZJ