

## ADV2722F



### Key Features

- Up to 2 megapixel (1920 × 1080) resolution
- Standard video compression with high compression ratio, ROI (region of interest) encoding
- Progressive scan CMOS, capture motion video without incised margin
- Support dual stream, and the sub-stream for mobile surveillance
- High-performance and long service life Infrared LED, Approx. 10 to 20 meters IR range
- Built-in Micro SD/SDHC/SDXC card slot, up to 64 GB
- IR cut filter with auto switch
- PoE (Power over Ethernet)
- Ingress Protection level: IP66
- Electronic shutter for different surveillance environments
- Impact Protection: IEC60068-2-75 test, Eh, 20J; EN50102, up to IK10
- Other functions: reset, heartbeat, mirror, etc
- Support intrusion detection, line crossing detection
- Support VCA, which is compatible with NVR for the second time of video searching and analysing

### Specification

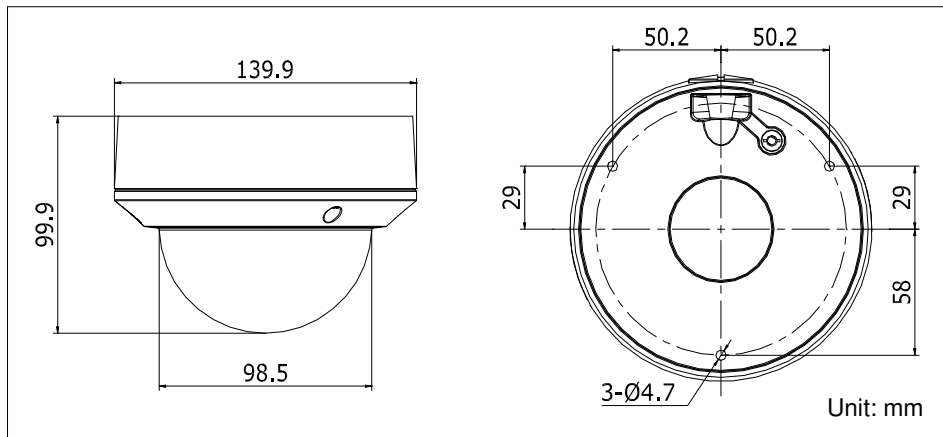
Model	ADV2722F
Parameter	2 Megapixel CMOS Vandal-proof Network Dome Camera
<b>Camera</b>	
Image Sensor	1/2.8" Progressive Scan CMOS
Min. Illumination	0.01lux @(F1.2,AGC ON) ,0 Lux with IR 0.014lux @(F1.4,AGC ON), 0 Lux with IR

Shutter Speed	1/3 s to 1/100,000 s
Lens	2.8 - 12 mm @ F1.4, Angle of view: 113°-33.8°
Angle Adjustment	Pan: 0° - 355°, Tilt: 0° - 75°, Rotation: 0° - 355°
Lens Mount	Φ14
Day & Night	IR cut filter with auto switch
Digital Noise Reduction	3D DNR
Wide Dynamic Range	Digital WDR
<b>Compression Standard</b>	
Video Compression	H.264/ MJPEG
H.264 Compression Type	Main Profile
Video Bit Rate	32 Kbps – 12 Mbps
Audio Compression(-S)	G.711/G.722.1/G.726/MP2L2
Audio Bit Rate(-S)	64Kbps(G.711) / 16Kbps(G.722.1) / 16Kbps(G.726) / 32-128Kbps(MP2L2)
Dual Stream	Yes
<b>Image</b>	
Max. Resolution	1280 x 960
Frame Rate	50Hz: 25fps (1920 × 1080, 1280 × 960, 1280 × 720) 60Hz: 30fps (1920 × 1080, 1280 × 960, 1280 × 720)
Image Settings	Rotate mode, Saturation, Brightness, Contrast adjustable by client software or web browser
Backlight compensation	Yes, zone optional
ROI	Support
<b>Network</b>	
Network Storage	NAS (Support NFS, SMB/CIFS)
Alarm Trigger	Line Crossing detection, Intrusion detection, Intelligent function detection, Motion detection, Dynamic analysis, Tampering alarm, Network disconnect, IP address conflict, Storage exception
Protocols	TCP/IP, ICMP, HTTP, HTTPS, FTP, DHCP, DNS, DDNS, RTP, RTSP, RTCP, PPPoE, NTP, UPnP, SMTP, SNMP, IGMP, 802.1X, QoS, IPv6, Bonjour
General	One-key reset, Flash-prevention, dual stream, heartbeat, mirror, password protection, privacy mask, watermark, IP address filtering, Anonymous access
Standard	ONVIF, PSIA, CGI, ISAPI
<b>Interface</b>	

Communication Interface	1 RJ45 10M/100M Ethernet interface
On-board storage	Built-in Micro SD/SDHC/SDXC card slot, up to 128 GB
<b>General</b>	
Operating Conditions	-30 °C – 60 °C (-22 °F – 140 °F) Humidity 95% or less (non-condensing)
Power Supply	12 V DC ± 10% PoE (802.3af)
Power Consumption	Max. 5.5 W
Ingress Protection level	IP66
Impact Protection	IEC60068-275Eh, 20J; EN50102, up to IK10
IR Range	Approx. 20 meters
Dimensions	Φ 140 × 99.9 mm (Φ 5.51" × 3.94")
Weight	1000g

\* "-I" series support 1-ch audio I/O, 1-ch alarm I/O

## Dimensions



## Accessories



In-ceiling mount  
ADV1227ZJ



Wall mount  
ADV1273ZJ-135



Junction box  
ADV1280ZJ-DM21