

## ADV4220IW-D

### 2 Megapixel H.265 20x Network IR PTZ Dome Camera



### Key features

#### System function:

- High performance CMOS, up to 1920x1080 resolution
- $\pm 0.1^\circ$  Preset Accuracy
- ONVIF(Open Network Video Interface Forum), CGI(Common Gateway Interface), PSIA(Physical Security Interoperability Alliance), to ensure greater interoperability between different platforms and compatibility
- 3D intelligent positioning function
- Power-off memory function: restore PTZ & Lens status after reboot
- IP66 standard (outdoor dome)
- Support ezviz cloud P2P

#### Smart function:

- Smart detection: intrusion detection, line crossing detection, audio exception detection
- Smart recording: edge recording, support smart search in smart NVR
- Smart image processing: defog
- Smart codec: low bit rate, ROI

#### PTZ function:

- 360° endless pan range and  $-15^\circ$ - $90^\circ$  tilt range
- 80°/s Pan Preset Speed and 80°/s Tilt Preset Speed
- 0.1°-80°/s Manual Pan Speed and 0.1°-80°/s Manual Tilt Speed
- 300 presets programmable; preset image freezing capability
- 8 patrols, up to 32 presets per patrol

#### Network function:

- H.265/H.264/ MPEG4 video compression and the latest processing chip and platform
- Built-in Web server

- Micro SD card local storage(SD card is optional)
- Support up to 8 NAS storage; Transmit the videos from SD card to the NAS after network resumed
- HTTPS encryption and IEEE 802.1X port-based network access control
- Support dual-stream;H.264 /MPEG4 video compression; Basic and advanced video configuration; Real time video at 960P or 720P
- Multiple network protocols supported: IPv4/IPv6, HTTP,HTTPS,802.1X,QoS,FTP,SMTP,UPnP,SNMP,DNS,DDNS,NTP,RTSP,RTP,TCP,UDP,IGMP,ICMP,DHCP,PPPoE

#### IR function:

- • 0 Lux minimum illumination
- • Up to 100m IR distance
- • IR light MTBF reaching up to 30,000 hours
- • Smart IR mode

## Application Scenarios

It can be widely applied to places requiring wide-area monitoring and high-definition display, such as rivers, forests, highways, railways, airports, ports, sentries, squares, parks, scenic sites, streets, stations, large venues, outside of residential areas, etc.

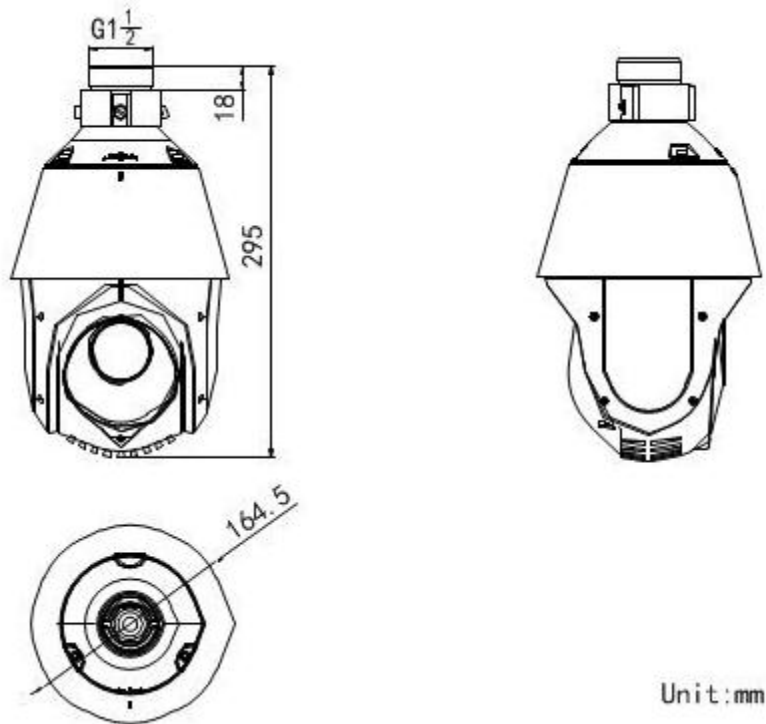
## Specifications

Model		ADV4220IW-D
Parameter		
Camera	Image Sensor	1/2.8" Progressive Scan CMOS
	Min. Illumination	Color : 0.05 lux (F1.6) B/W : 0.01 lux (F1.6) 0lux when IR ON
	White Balance	Auto / Manual /ATW/Indoor/Outdoor/Daylight lamp/Sodium lamp
	AGC	Auto / Manual
	S / N Ratio	≥ 52dB
	3D DNR	Support
	BLC	Support
	HLC	Support
	DWDR	Support
	Defog	Support

	Shutter Time	1-1/10,000s
	Day & Night	IR Cut Filter
	Digital Zoom	16X
	Privacy Mask	8 privacy masks programmable
	Focus Mode	Auto / Semiautomatic / Manual
<b>Lens</b>	Focal Length	4.7-94mm, 20x
	Zoom Speed	Approx.3s(Optical Wide-Tele)
	Angle of View	58.3-3.2 degree (Wide-Tele)
	Min. Working Distance	10-1000mm(Wide-Tele)
	Aperture Range	F1.6-F3.5
<b>Pan and Tilt /Network /system integration</b>	Pan Range	360°endless
	Pan Speed	Pan Manual Speed: 0.1° -80°/s, Pan Preset Speed: 80°/s
	Tilt Range	-15°-90°(Auto Flip)
	Tilt Speed	Tilt Manual Speed: 0.1°-80°/s, Tilt Preset Speed: 80°/s
	Number of Preset	300
	Patrol	8 patrols, up to 32 presets per patrol
	Park action	Pattern/Pan scan/Tilt scan/Frame scan/Panorama scan/Random scan
	Scheduled Task	Auto scan / Frame scan / Random scan / Patrol / Pattern / Preset / Panorama scan / Tilt scan / Dome reboot / Dome adjust / Aux output
	Detection	Intrusion detection, Line crossing detection, Motion detection
	Ethernet	10Base-T / 100Base-TX, RJ45 connector
	Max.Image Resolution	1920×1080
	Main stream	50Hz: 25 fps (1920×1080), 25 fps (1280×960) , 25 fps (1280×720) 60Hz: 30 fps (1920×1080), 30 fps (1280×960) , 30 fps (1280×720)
	Image Compression	H.265/H.264/MJPEG
	ROI encoding	Support 4 areas with adjustable levels
	Sub stream	50Hz:25fps(704×576), 25fps(352×288), 25fps(320×240); 60Hz:30fps(704×480), 30fps(352×240), 30fps(320×240)
	Protocols	IPv4/IPv6,HTTP,HTTPS,802.1X,QoS,FTP,SMTP,UPnP,SNMP,DNS,DDNS,NTP,RTSP,RTP,TCP,UDP,IGMP,ICMP,DHCP,PPPoE
	Number of Simultaneous Live View	Up to 20
	Dual Streams	Support
	Mini SD Memory Card	Micro SD Slot, up to 128GB, edge recording
	User/Host Level	Up to 32 users,3 Levels: Administrator, Operator and User
Security Measures	User authentication (ID and PW), Host authentication (MAC address) IP address filtering	

Interface for application programming	Open-ended API, support Onvif, PSIA and CGI <b>Support ezviz cloud P2P</b>
Web Browser	IE 7+, Chrome 18 +, Firefox 5.0 +, Safari 5.02 +
Power	24 VAC(-A model) Max. 20W
Working Temperature / Humidity	-30°C-65°C(-22°F -149°F) 90% or less
Protection Level	IP66 standard ,TVS 4,000V lightning protection, surge protection and voltage transient protection
Mounting	Various mounting modes optional
Dimensions	Φ164.5(mm)×295(mm)
Weight (approx.)	2Kg (4.41lbs)
Mount Option (only suitable for outdoor dome)	Long-arm wall mount: ADV1602ZJ; Corner mount: ADV1602ZJ-corner; Pole Mount: ADV1602ZJ-pole;Power box mount:ADV1602ZJ-box

## Dimensions



## Accessories



ADV1602ZJ Long-arm Wall Mount Bracket