

ADV5123TI-A/ADV5223TI-A

720P/1080P Turbo HD IR 23x PTZ Dome Camera



Key features

System function:

- High performance CMOS, up to 1280x720/1920x1080 resolution
- $\pm 0.1^\circ$ Preset Accuracy
- Self-adaptive to HIKVISION, pelco-P/D protocol
- 3D intelligent positioning function
- Power-off memory function: restore PTZ & Lens status after reboot
- IP66 standard (outdoor dome)
- RS485 Communication
- Scheduled PTZ movement
- UTC(up the Coax) function
- CVBS output

Camera function:

- *Auto focus, auto white balance, backlight compensation and auto/manual day & night switch*
- *Privacy masks programmable*
- 3D DNR, digital zoom
- DWDR, EIS

PTZ function:

- 360° endless pan range and -15°-90° tilt range
- 400°/s Pan Preset Speed and 200°/s Tilt Preset Speed
- 0.1°-400°/s Manual Pan Speed and 0.1°-120°/s Manual Tilt Speed
- 256 presets programmable; preset image freezing capability

- 8 patrols, up to 32 presets per patrol
- preset, patrol, pattern, recording, relay output, upload center, etc.
- 4 patterns, with the total recording time not less than 10 minutes
- Proportional zoom function
- Park action: auto call up of PTZ movement, after a defined time of inactivity

IR function:

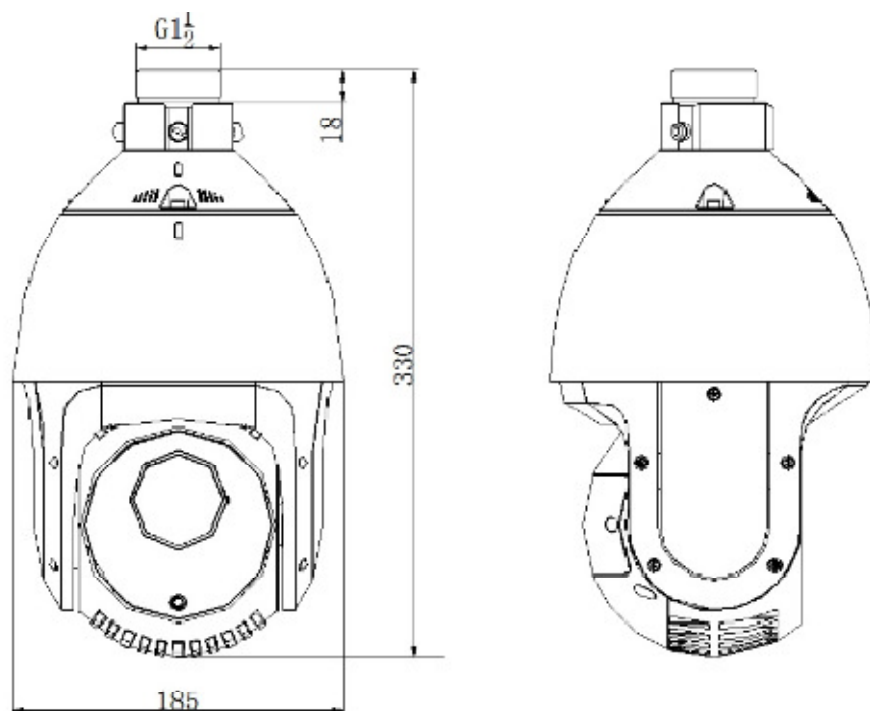
- • 0 Lux minimum illumination
- • Up to 100m IR distance
- • IR light MTBF reaching up to 30,000 hours
- • Smart IR mode

Specifications

Model		ADV5123TI-A (720P)/ ADV5223TI-A (1080P)
Parameter		
Camera	Image Sensor	1/3" Progressive Scan CMOS
	Max. image Resolution	1280x720 (ADV5123TI-A) / 1920x1080 (ADV5223TI-A)
	Min. Illumination	Color : 0.05 lux (F1.6) B/W : 0.005 lux (F1.6) 0lux when IR ON
	White Balance	Auto / Manual /ATW/Indoor/Outdoor/Daylight lamp/Sodium lamp
	AGC	Auto / Manual
	S / N Ratio	≥ 52dB
	3D DNR	Support
	BLC	Support
	HLC	Support
	DWDR	Support
	Defog	Support
	Shutter Time	1-1/10,000s
	Day & Night	IR Cut Filter
	Digital Zoom	16X
	Privacy Mask	8 privacy masks programmable
	Focus Mode	Auto / Semiautomatic / Manual
Lens	Focal Length	4 -92mm, 23x
	Zoom Speed	Approx.3s(Optical Wide-Tele)

	Angle of View	49-2.2 degree (Wide-Tele)
	Min. Working Distance	10-1000mm(Wide-Tele)
	Aperture Range	F1.4-F3.5
Pan and Tilt /system integration	Pan Range	360°endless
	Pan Speed	Pan Manual Speed: 0.1° -400°/s, Pan Preset Speed: 400°/s
	Tilt Range	-15°-90°(Auto Flip)
	Tilt Speed	Tilt Manual Speed: 0.1°-120°/s, Tilt Preset Speed: 200°/s
	Number of Preset	256
	Patrol	8 patrols, up to 32 presets per patrol
	Park action	4 Pattern/Pan scan/Tilt scan/Frame scan/Panorama scan/Random scan
	Scheduled Task	Auto scan / Frame scan / Random scan / Patrol / Pattern / Preset / Panorama scan
	RS485 communication	Support
	IR Distance	Up to 150m
	IR intensity	Automatically adjusted, depending on the zoom ratio
	Turbo HD output	1 turbo HD720P/1080P output, 1.0V[p-p] / 75Ω NTSC(or PAL) composite,BNC
	CVBS output	1.0V[p-p] / 75Ω, NTSC (or PAL) composite, BNC
	Alarm I/O	2 input / 1 output
	RS485 Interface	Half-duplex mode Self-adaptive HIKVISION, Pelco-P, Pelco-D protocol
	UTC function	HIKVISION_C
	Main Language	English
	Power	12 VDC Max. 18W
	Working Temperature / Humidity	-30℃-65℃(-22℉ -149℉)90% or less
	Protection Level	IP66 standard ,TVS 4,000V lightning protection, surge protection and voltage transient protection
	Mounting	Various mounting modes optional
	Dimensions	Φ185(mm)×330(mm)
Weight (approx.)	4Kg (8.81lbs)	
Mount Option (only suitable for outdoor dome)	Long-arm wall mount: ADV1602ZJ; Corner mount: ADV1602ZJ-corner; Pole Mount: ADV1602ZJ-pole;Power box mount:ADV1602ZJ-box	

Dimensions



Unit:mm

Accessories



ADV1602ZJ Long-arm Wall Mount Bracket