

ADV55A2P-IRP



Key Features

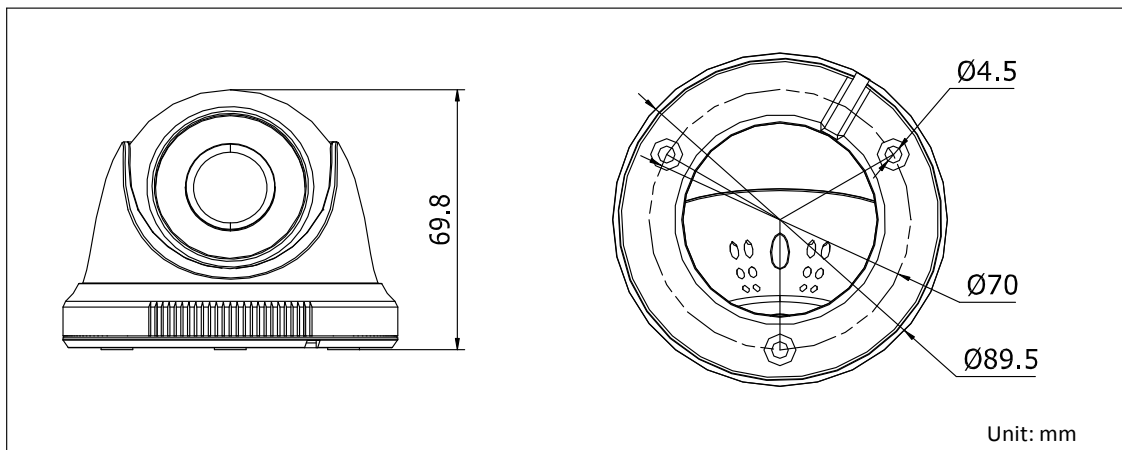
- Compact design
- DIS
- IR cut filter with auto switch
- Min. illumination: 0.1 Lux @ F1.2 (0 Lux with IR)
- Auto white balance, auto gain control, electronic shutter control and backlight compensation
- Smart IR mode
- Internal Synchronization
- Advanced Engineering Design, High Reliability
- Patent universal adjustable structure provides convenient adjustment and high reliability

Specification

Model	ADV55A2P-IRP
Parameter	700TVL DIS IR Dome Camera (ICR)
Camera	
Image Sensor	1/3" DIS
Signal System	PAL/NTSC
Effective Pixels	976 (H) × 496 (V)
Min. Illumination	0.1 Lux @ (F1.2,AGC ON),0 Lux with IR
Shutter speed	PAL: 1/50 s to 1/100,000 s NTSC: 1/60 s to 1/100,000 s
Lens	3.6 mm (2.8mm,6mm optional)
	Angle of view: 68.4° (3.6 mm)
Lens Mount	M12
Angle Adjustment	Pan: 0 - 360°; Tilt: 0 - 75°; Rotation: 0 - 360°
Day & Night	IR cut filter with auto switch

Horizontal Resolution	700 TVL
Synchronization	Internal synchronization
Video Output	1Vp-p composite output (75 Ω/BNC)
S/N Ratio	More than 62 dB
General	
Working Temperature/Humidity	-40 °C - 60 °C (-40 °F - 140 °F) Humidity 90% or less (non-condensing)
Power Supply	12 V DC ± 10%
Power Consumption	Max. 1.8 W (Max. 4 W with IR cut filter on)
IR Range	Approx. 10 to 20 meters
Dimensions	Φ89.5 × 69.8 mm (Φ3.52" × 2.75")
Weight	200 g (0.44 lbs)

Dimensions



Accessories



Indoor/outdoor wall mount
ADV1229ZJ-1



Indoor/outdoor wall mount
ADV1239ZJ-1