

## ADV56C0T-IRP



### Key Features

- 1.0 Megapixel high-performance CMOS
- Analog HD output, up to 720P resolution
- True Day/Night
- DNR, Smart IR
- Up to 20m IR distance
- IP66 weatherproof

### Specification

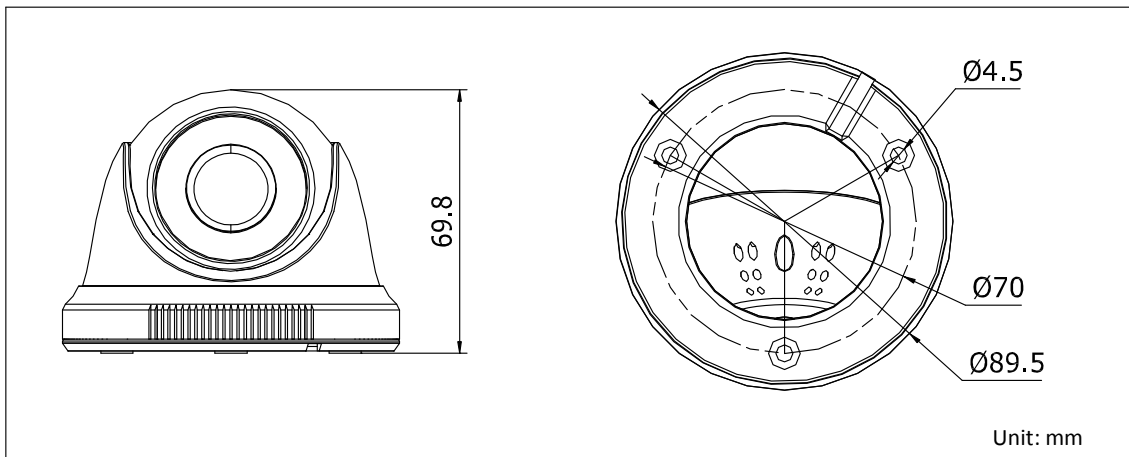
Model	ADV56C0T-IRP
Parameter	Turbo HD720p IR Turret Camera
Camera	
Image Sensor	1MP CMOS Image Sensor
Effective Pixels	1296(H)*732(V)
Min. Illumination	0.1 Lux @(F1.2,AGC ON), 0 Lux with IR
Shutter Time	1/25(1/30) s to 1/50,000 s
Lens	3.6mm (2.8mm, 6mm optional)
	Angle of View: 70.9°(3.6mm), 92°(2.8mm), 56.7°(6mm)
Lens Mount	M12
Angle Adjustment	Pan: 0 - 360°, Tilt: 0 - 75°, Rotation: 0 - 360°
Day & Night	ICR
Synchronization	Internal synchronization
Video Frame Rate	720p@25fps/720p@30fps
HD Video Output	1 Analog HD output
S/N Ratio	>62dB
General	

Working Temperature/Humidity	-20 °C - 45 °C (-4 °F - 113 °F) Humidity 90% or less (non-condensing)
Power Supply	12V DC ± 15%
Power Consumption	Max. 4W
IR Range	Up to 20m
Dimension	Φ89.5 × 69.8 mm (Φ3.52" × 2.75")
Weight	260g (0.57 lb)

## Order Model

ADV56C0T-IRP

## Dimension



## Accessory



ADV1272ZJ-110-TRS  
Wall Mounting



ADV1275ZJ  
Vertical Pole Mounting



ADV1276ZJ  
Corner Mounting



ADV1H18  
Video Balun



ADVTT-X41T  
TVI Tester



ADV1280ZJ-XS  
Junction box