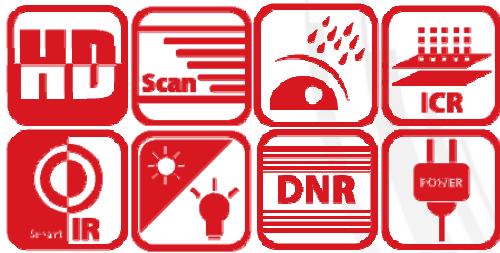


ADV56D0T-IR
HD1080P IR Turret Camera



Key Features

- 2 Megapixel high-performance CMOS
- Analog HD output, up to 1080P resolution
- True Day/Night, Smart IR
- Up to 20m IR distance
- IP66 weatherproof

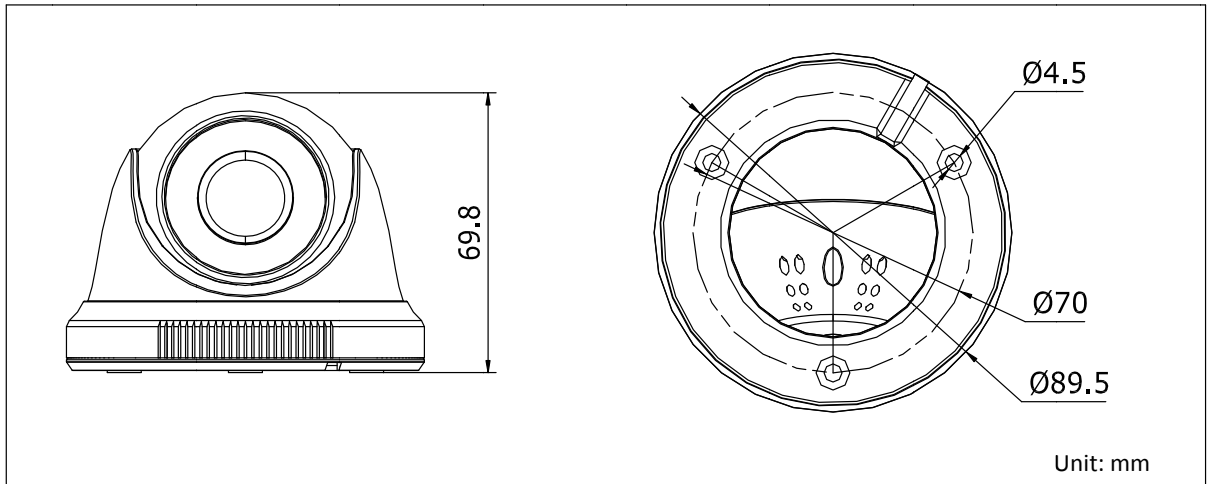
Specifications

Camera	
Image Sensor	2MP CMOS Image Sensor
Signal System	PAL/NTSC
Effective Pixels	1920(H)*1080(V)
Min. illumination	0.01 Lux @ (F1.2,AGC ON),0 Lux with IR
Shutter Time	1/25(1/30)s to 1/50,000s
Lens	2.8mm, 3.6mm, 6mm optional
	Angle of View: 103°(2.8mm), 82.2°(3.6mm), 54°(6mm)
Lens Mount	M12
Day & Night	ICR
Angle Adjustment	Pan: 0 - 360°, Tilt: 0 - 75°, Rotation: 0 - 360°
Synchronization	Internal synchronization
Video Frame Rate	1080p@25fps/1080p@30fps
HD Video Output	1 Analog HD output
S/N Ratio	> 62dB
General	
Operating Conditions	-40 °C – 60 °C (-40 °F – 140 °F), Humidity 90% or less (non-condensing)
Power Supply	12 VDC ± 15%
Power Consumption	Max. 4W
Protection Level	IP66
IR Range	Up to 20m
Dimension	Φ89.5 × 69.8 mm(Φ3.52" × 2.75")
Weight	280 g

Order Models

ADV56D0T-IR

Dimensions



Accessories



ADV1272ZJ-110-TRS
Wall Mounting



ADV1275ZJ
Vertical Pole Mounting



ADV1276ZJ
Corner Mounting



ADV1H18
Video Balun



X41T
Camera Tester



ADV1280ZJ-XS
Junction box