

# ADV8021WR



## 4-in-one 2MP Full HD IR Bullet Camera



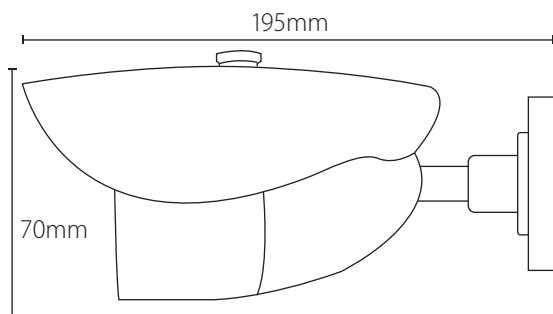
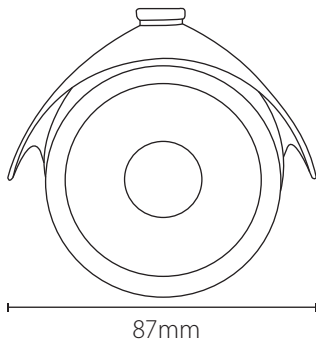
### KEY FEATURES

- 2.0Megapixel waterproof IR camera
- Support video format: TVI, CVI, AHD and CVBS
- Long distance real-time transmission
- Auto color to B/W at low illumination
- Support ICR switch, true day/night
- 30m IR night view distance



### Dimensions

### ADV8021WR



VIDEO	
Image Sensor	1/2.7" CMOS 2.0 Megapixel
CCTV System	Support TVI, CVI, AHD and CVBS (switchable)
Effective Pixels	1920 x 1080
Minimum Illumination	0Lux when IR turned on
S/N Ratio	More than 52dB
Video Output	1.0Vp-p composite 75ohm
OPERATIONAL	
Gamma Ratio	0.45
White Balance	Auto
BLC	Auto
Auto Gain Control	Auto
Iris Mode	AES
Synchronization	Internal
Day & Night	Infrared Cut-filter Removal with auto switch
Electronic Shutter	1/60 to 1/100,000 sec (NTSC) / 1/50 to 1/100,000 sec (PAL)
IR LED / Effective Length	36pcs / approx. 30 meters
LENS	
Focal Length	3.6mm wide-angle
ELECTRICAL / MECHANICAL	
Operating Temperature	-10°C ~ +50°C RH95% Max
Storage Temperature	-20°C ~ +60°C RH95% Max
Power Source	DC12V ± 10% / 100mA, 360mA when IR turn On
Weight	450g
Dimension (mm)	195(L) x 87(W) x 70(H)

Design and specifications are subject to change without prior notice.